

# **REVSTEEL**

Flavor for everyone



Rev Steel Webpage

**ceado.**

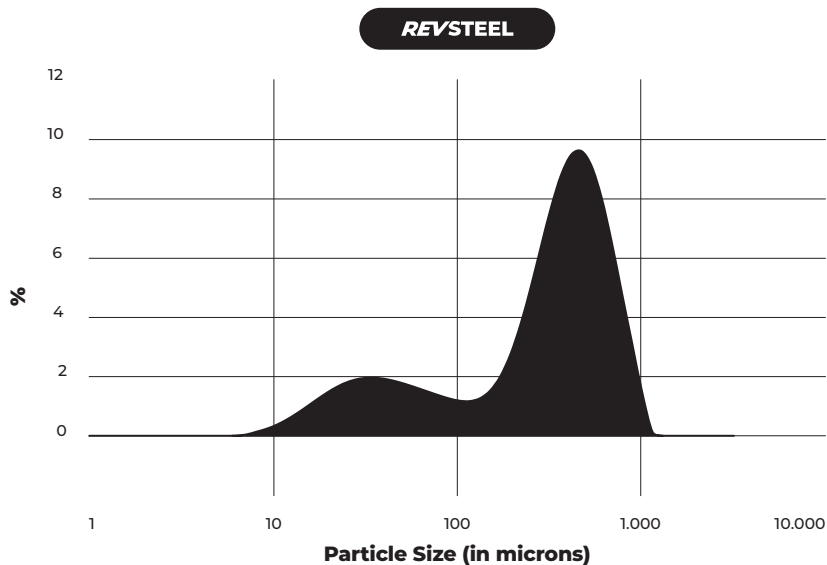
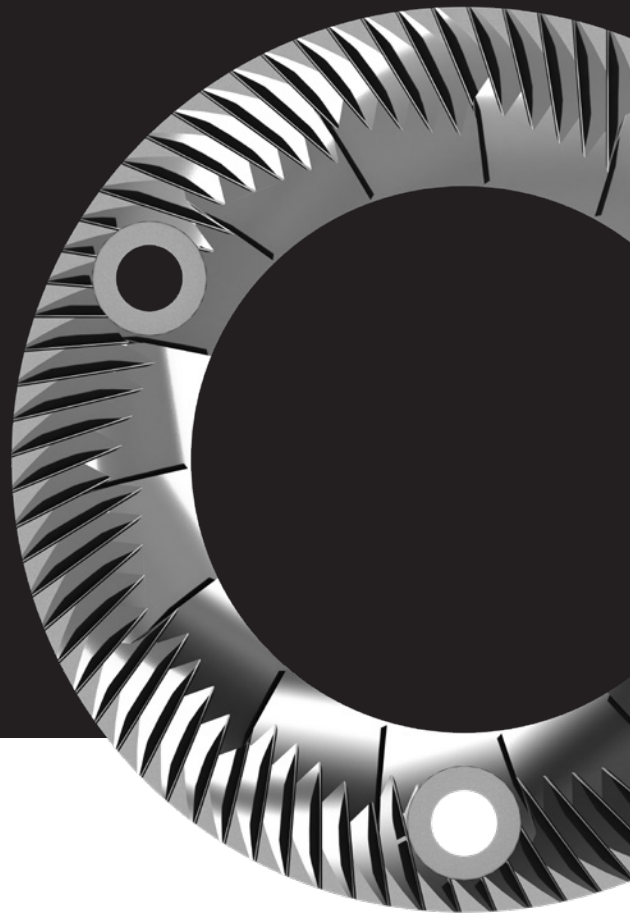
# REVSTEEL

The ideal grinder for espresso blends that provides a **great balance between body and flavor clarity.**

## C83

83 mm steel flat burrs with lifespan of 900 kg

ceado. original burrs



Designing Flavor.

ceado.

WAM

# Weight Adjustment Module

Consistent weight aids in building and monitoring flavour recipes. The Rev Series feature an **interchangeable weight module** that can be mounted in under two minutes, even post grinder installation.



WAM Module



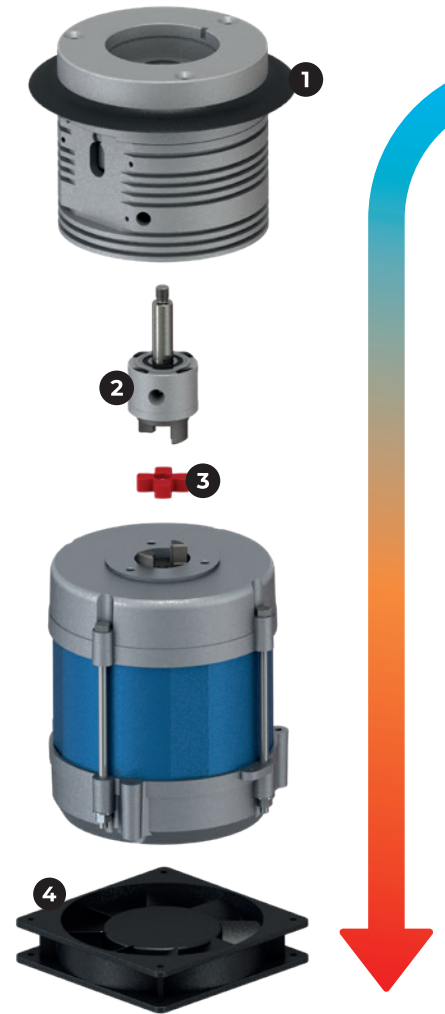
PFA Module

ceado.

# Grounds Temperature Management

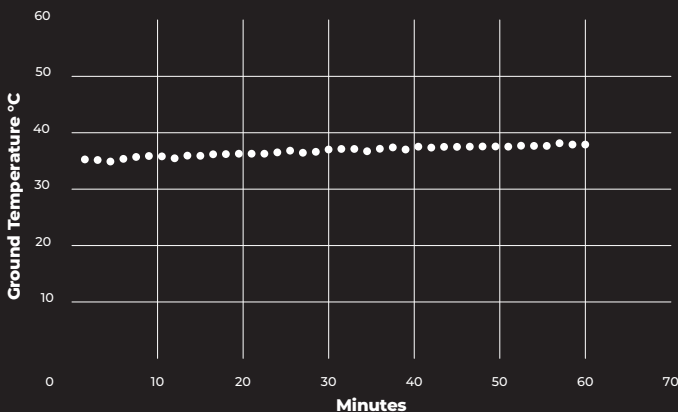
Stable and **low coffee grounds temperature** is key for consistent flavor extraction.

- 1 **2,5 kg heat sink** around the burrs to constantly remove large amounts of heat.
- 2 **Shaft** separates burrs from motor to prevent heat transmission.
- 3 **Insulation** to prevent heat transmission through the shaft.
- 4 **Active internal airflow management** to support temperature stability at any pace.



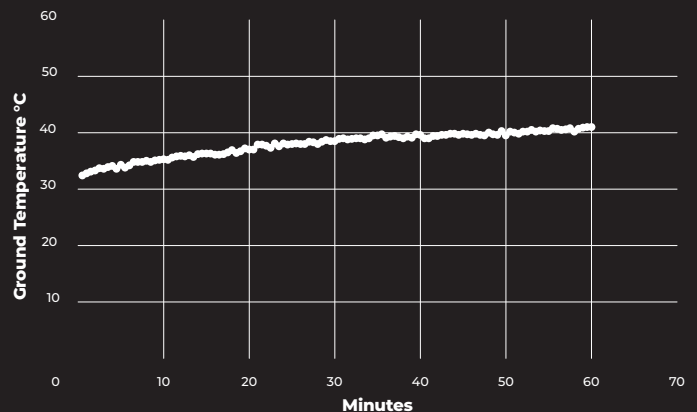
## Peak Hour

REVITAN 800 g - 40 Doses Per Hour



## Stress Test

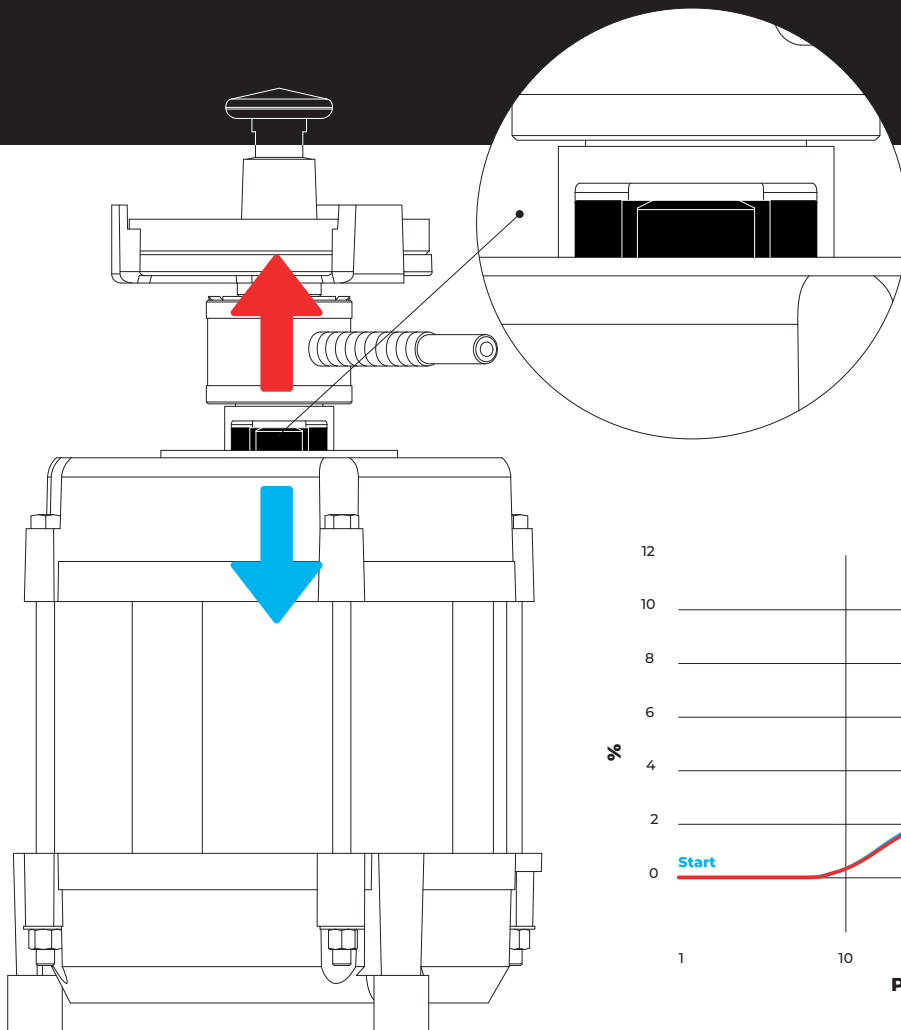
REVITAN 2,4 kg - 120 Doses Per Hour



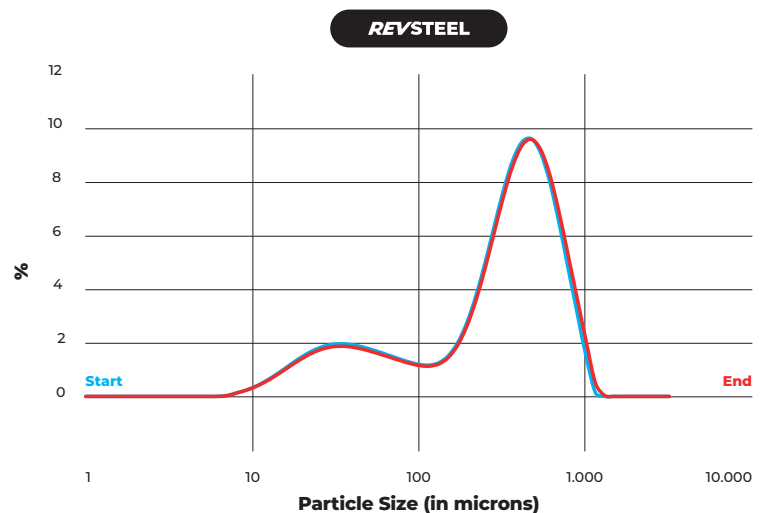


# Steady Lock

The grinder features a counteracting system that **expands in the opposite direction** of the burrs, neutralizing the effect of heat expansion. This ensures a consistent particle size at any pace, preserving the same flavor profile.



**Peak Hour**  
Granulometry Consistency



# Noise Reduction



Grinder built to **prevent vibration transmission** and **noise emissions**.

- 1 **2,5 kg grind chamber** for higher noise insulation.
- 2 **Rubber rings** to reduce noise propagation.
- 3 **Motor separated from burrs** to prevent vibration transmission.
- 4 Motor mounted on **suspension system** reduces vibration emission.



**Advanced Leveling Intelligent Grinding Nexus**

## Align

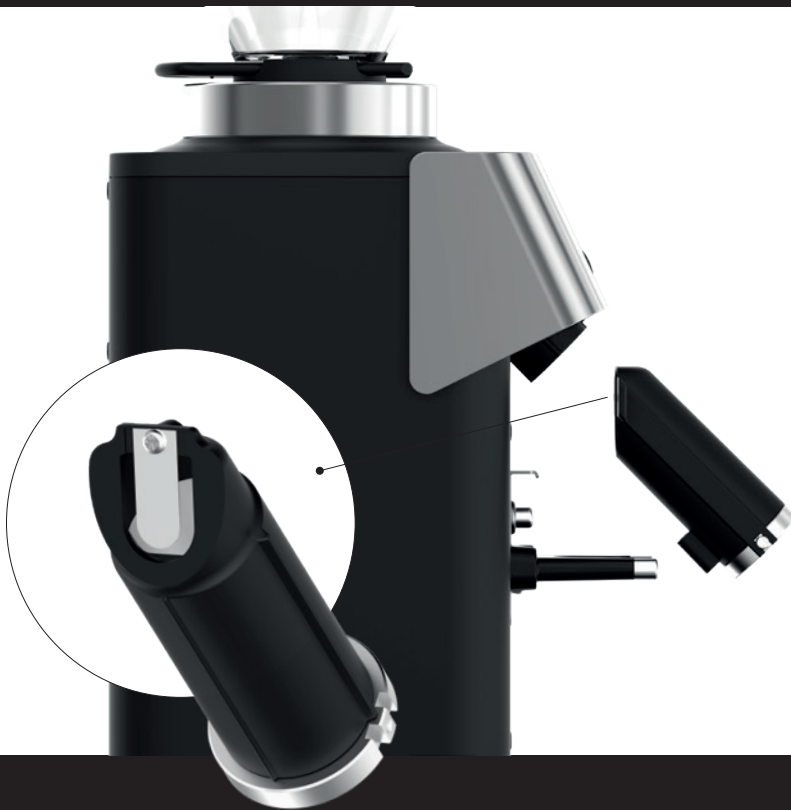
High-precision **stepless adjustment with display** for a digital, intuitive, and quick reading of the grind setting.



**ceado.**

# Cleaning has never been easier.

Burrs are easy to clean and inspect as it takes only **3 screws** to remove the top of the grind chamber. No grind re-adjustment is needed after cleaning.



## Removable Chute

It only takes **few seconds and a screwdriver** to loosen the safety screw and extract the chute along with the metal flap for cleaning. Putting it back is as easy: **four guides** quickly bring it back to the correct position with no chance of error.

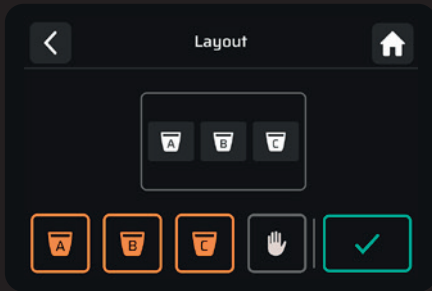
## Removable Air Filter

To prevent dust and dirt entering the inner parts of the grinder, an air filter is installed behind the air suction grid. A **cleaning reminder** periodically appears on display.



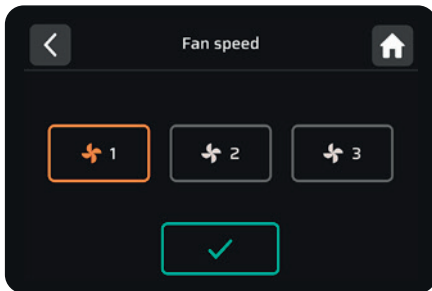
The user interface is designed to be state-of-the-art, ensuring **intuitive use** for all.

Scroll  
Down Menu

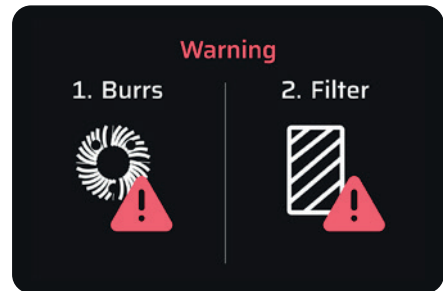


**Customizable Dose Layout**

# User Interface



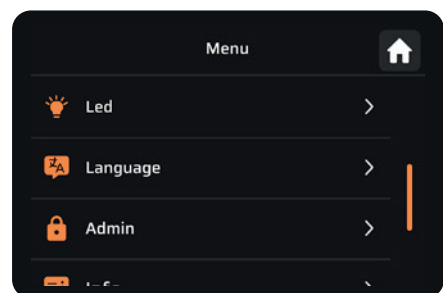
**Programmable Air Flow**



**Maintenance Alerts**



**Five Grinding Activation Modes**



**General Settings**



Ground temperature stability  
Weight precision  
Granulometry consistency  
**Same flavor for everyone.**



NSF

C83

ceado. original burrs

© Ceado srl - all rights reserved - 02/2025

# REVSTEEL

## Ø 83 flat burrs



Align



Steady Lock



Gtm



Wam

### Technical data

<b>Voltage - Power</b>	220-240 V · 50-60 Hz / 500 W 110-120 V · 60 Hz / 5 A
<b>Rpm 50 Hz / 60 Hz</b>	1480 / 1700 rpm
<b>Average Output (g/s)</b>	4 (50 Hz) / 5 (60 Hz)
<b>Net weight</b>	14,4 kg
<b>Gross weight</b>	16,2 kg
<b>Dimensions</b>	200 x 270 x 590h mm
<b>Burrs</b>	<b>C83</b> Ø 83 flat burrs*
<b>Hopper</b>	Approximately 1600 g
<b>Dose setting</b>	Digital with grind reference on display
<b>Display</b>	Multifunction Touch
<b>Noise</b>	66 dB



\*Red speed burrs available.

Designing Flavor.

ceado.